


Item	PT-32 XLcorner
------	-----------------------

Description	Size:	L 29 4/9	x	W 29 4/9	x	H 29 1/4	inch
		L 74,80	x	W 74,80	x	H 74,30	cm
<p>Table with angular joining system. Increases the range of possible compositions with rectangular tables. Telescopic leg for optimal folding. Height adjuster on 3 legs. Table top Mounting Frame: 15x30x1,0 TH mm Round Leg Tube: 1,125"x1,0 TH mm // 28,575x1,0mm. Adjustable Foot Pad. HDPE Table Top: 45 mm (TH)</p>							


Package	Carton size:	L 30 3/4	x	W 30 1/4	x	H 5 1/2	inch	Vol. (m ³)	0,0838
		L 78,11	x	W 76,84	x	H 13,97	cm		
Pcs/ctn	1 pcs/ctn						EAN	8437009886045	
Net weight	6,6 Kg		14,52 lb		40'CY		1456 pcs		
Gross weight	7,3 Kg		16,06 lb		40'HQ		1640 pcs		

Remarks:


Recomended maximum weight: 100 Kg. - 220 lb



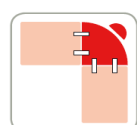
Angular or circular table joining system.




Height adjusters on 3 legs.



Automatic leg lock when in use.



Capacity: 1 person.
Area per person: 119,4 cm / 47"



Telescopic leg for optimal folding.

